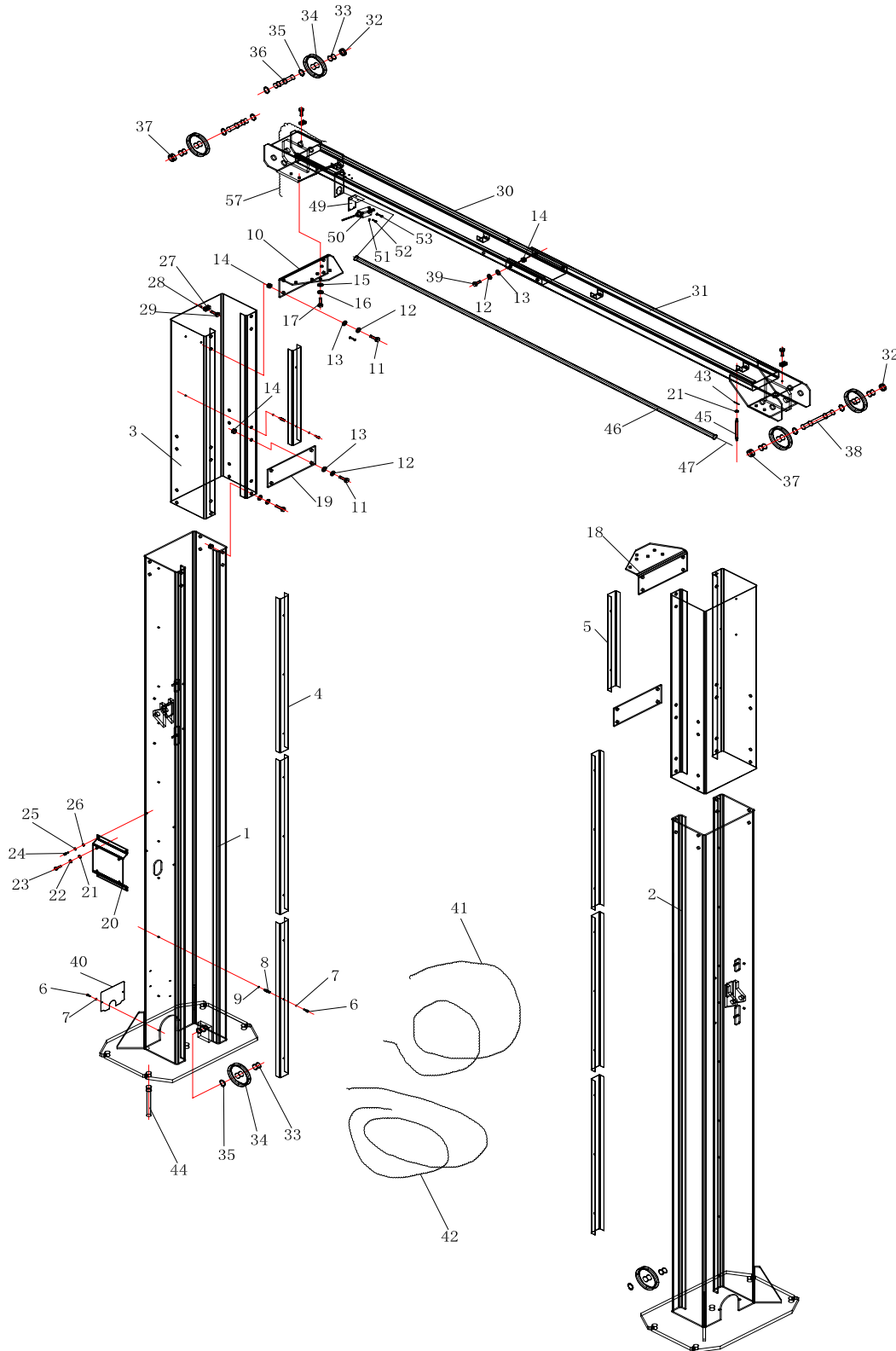
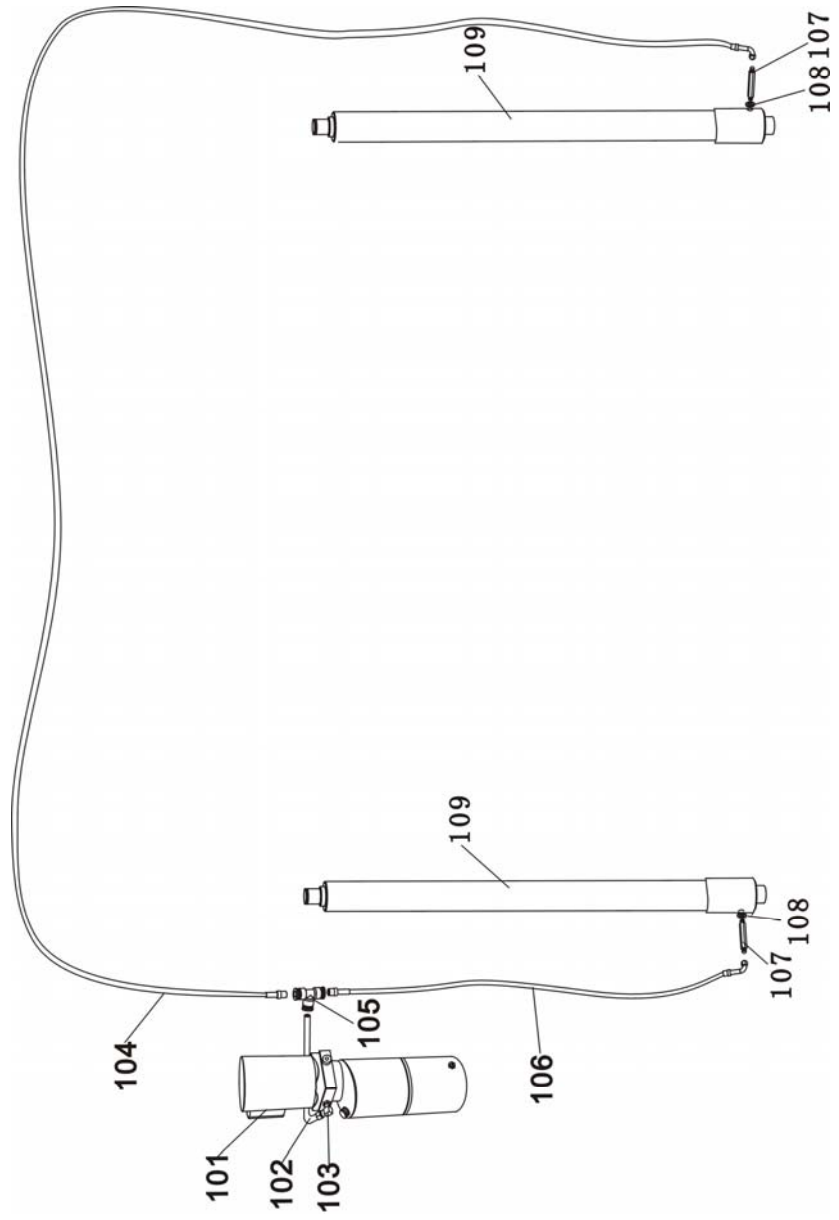


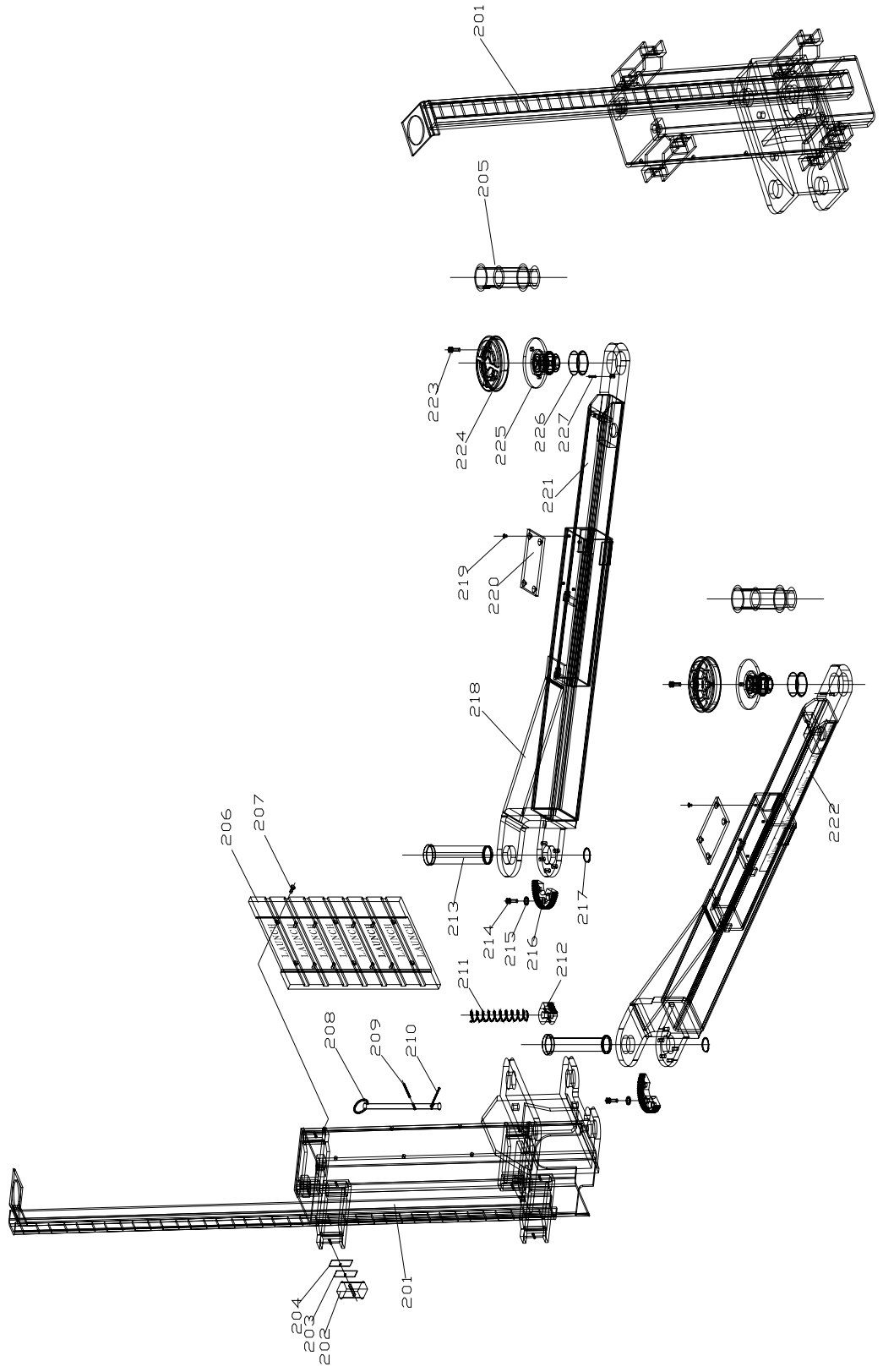
TLT240(245)AT Parts List

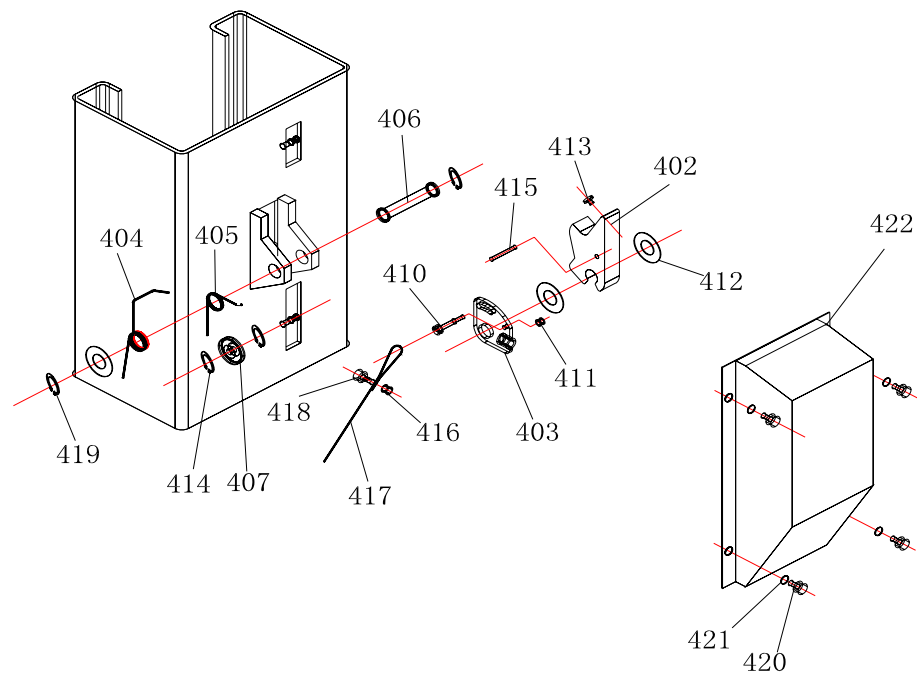
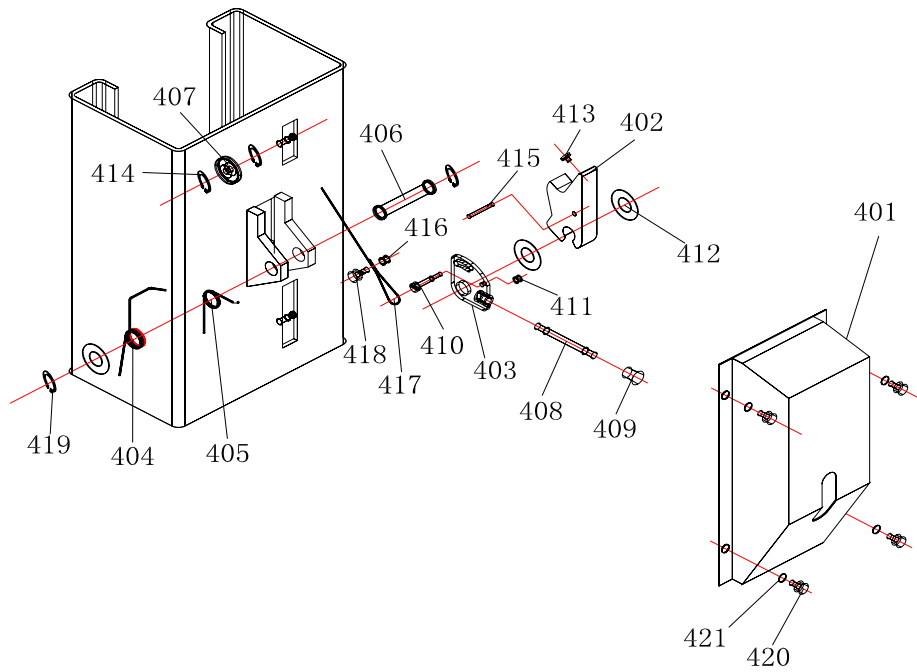
This list is only used as information for the maintenance and repair. Our company will not be liable for other uses. In case of damages to the components, purchase can be made from

the LAUNCH and its distributors base on the corresponding parts code No in the list.









LAUNCH

| No. | Code | Name |
|-----|------------|--|
| 1 | 201020657 | TLTU10AT powerside column |
| 2 | 201020676 | TLTU10AT offside column |
| 3 | 201011151 | Extension column |
| 4 | 201011195 | Protective cover inside the column |
| 5 | 201011152 | Protective cover inside the extension column |
| 6 | 103010432 | Screw M5×12 |
| 7 | 103040132 | Flat washer 5 |
| 8 | 103200937 | Screw |
| 9 | 103040133 | Flat washer 6 |
| 10 | 201011179 | Connecting bracket I |
| 11 | 103020104 | Bolt M12×35 |
| 12 | 103040178 | Spring washer 12 |
| 13 | 103040110 | Flat washer 12 |
| 14 | 103030129 | Nut M12 |
| 15 | 103040123 | Flat washer 10 |
| 16 | 103040122 | Spring washer 10 |
| 17 | 103020120 | Bolt M10×20 |
| 18 | 201011180 | Connecting bracket II |
| 19 | X201011154 | Reinforced bracket |
| 20 | 201020508 | Fixing plate of power unit |
| 21 | 103040134 | Flat washer 8 |
| 22 | 103040141 | Spring washer 8 |
| 23 | 103020100 | Bolt M8X25 |
| 24 | 103020122 | Screw M6X16 |
| 25 | 103040140 | Spring washer 6 |
| 26 | 103040133 | Flat washer 6 |
| 27 | 103201076 | Fixing block for cable I |
| 28 | 103201077 | Fixing block for cable II |
| 29 | 103020099 | Bolt M6X20 |
| 30 | 201020530 | Inner top beam |
| 31 | 201020531 | Outer top beam |
| 32 | 103200969 | Bushing I |
| 33 | 103200699 | Bushing 2520 |
| 34 | 104090045 | Pulley |
| 35 | 103050035 | Returning ring 25 |
| 36 | 103200966 | Asymmetric axle |
| 37 | 103200968 | Bushing II |
| 38 | 103200967 | Symmetric axle |

LAUNCH

| | | |
|-----|------------------|--|
| 39 | 103020126 | Bolt M12X25 |
| 40 | 103201070 | Bottom cover for column |
| 41 | 101020186 | Steel cable |
| 42 | 103260127 | Asymmetric steel cable |
| 43 | 103060342 | Pin 3X26 |
| 44 | 103020117 | Anchor bolt M18×160 |
| 45 | 201011172 | Support pin for long bar |
| 46 | 104130196 | Protective tube (\varnothing 20) |
| 47 | 201011170 | Long bar |
| 49 | 201011186 | Bracket |
| 50 | 102100075 | Limit switch |
| 51 | 103040164 | Flat washer 4 |
| 52 | 103010426 | Screw M4×12 |
| 53 | 103010429 | Screw M4×25 |
| 101 | | Power unit |
| 102 | 104120083 | Oil hose |
| 103 | | Turn around fitting |
| 104 | 104120070 | Oil hose L=9640 |
| 105 | 103100172 | T fitting |
| 106 | 104120069 | Oil hose L=9830 |
| 107 | 103100168 | Long fitting |
| 108 | 103040157 | Seal gasket 14 |
| 109 | 201020649 | Hydraulic cylinder |
| 201 | 201020677 | Carriage |
| 202 | 104990103 | Sliding block |
| 203 | 201010987 | Adjustment washer for sliding block I |
| 204 | 201010988 | Adjustment washer for sliding block II |
| 205 | 103200970 | Extension |
| 206 | 104130191 | Door rubber pad |
| 207 | 103010452 | Screw M8×16 |
| 208 | 103200979 | Top rod assembly |
| 209 | 103060346 | Pin 5X40 |
| 210 | 103060342 | Pin 3X26 |
| 211 | 103110063 | Spring |
| 212 | 201011216 | Gear block |
| 213 | 201010982 | Pin axle |
| 214 | 103010354 | Screw M8×25 |
| 215 | 103040141 | Washer 8 |
| 216 | 201011217 | Semi-gear |
| 217 | 103050030 | Returning ring 40 |
| 218 | 201020497 | Swing arm |
| 219 | 103010414 | Screw M5×8 |

LAUNCH

| | | |
|-----|-----------|---|
| 220 | 104130186 | Rubber pad on arm |
| 221 | 107021367 | Scale on arm II |
| 222 | 107021368 | Scale on arm I |
| 223 | 103020093 | Screw M8×16 |
| 224 | 104130189 | Rubber pad |
| 225 | 103200978 | Double screw lifting pad |
| 226 | 103201067 | Screw |
| 227 | 103060347 | Pin 6X20 |
| 401 | 103201457 | Cover for safety mechanism |
| 402 | 103201452 | Safety block |
| 403 | 201020584 | Changing plate |
| 404 | 103201450 | Spring I |
| 405 | 103201451 | Spring II |
| 406 | 103201455 | Pin of safety block |
| 407 | 104090060 | Small pulley |
| 408 | 103201454 | Handle of safety release |
| 409 | 103260115 | Handle ball BM10X40 (black) |
| 410 | 103201453 | Screw of safety plate |
| 411 | 103030014 | Nut M6 |
| 412 | 201011156 | Adjustment washer I |
| 413 | 104130210 | Rubber pad |
| 414 | 103050021 | Returning ring 9 |
| 415 | 103060333 | Pin 6X40 |
| 416 | 103201456 | Moving clamber |
| 417 | 101060019 | ∅ 1.4 steel cable |
| 418 | 201011319 | Screw of moving clamber |
| 419 | 103050025 | Returning ring 20 |
| 420 | 103010393 | Screw M8X12 |
| 421 | 103040134 | Washer 8 |
| 422 | 103201458 | Cover of safety mechanism on offside column |