



HT-220

Print

Close

Introduction

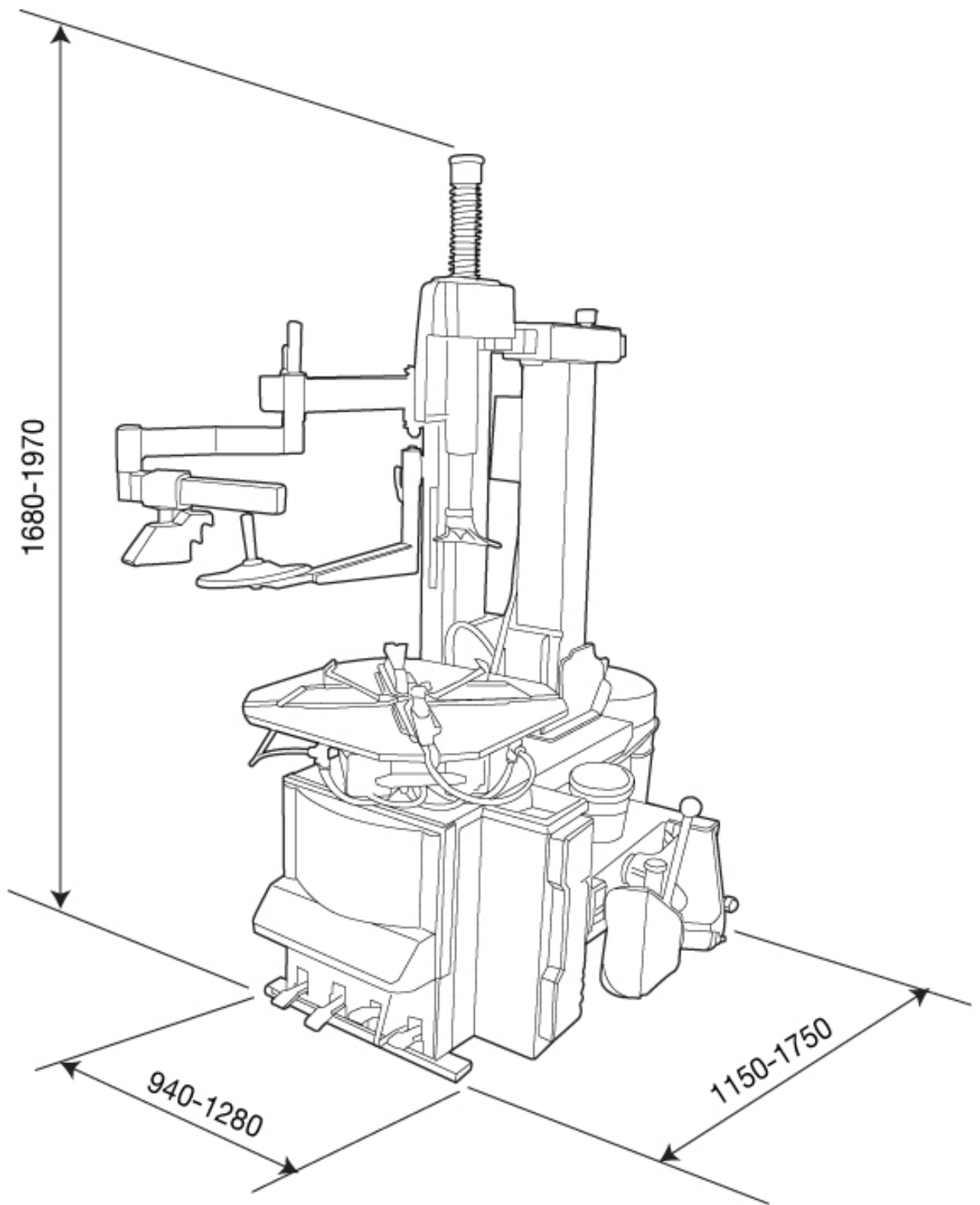
- High-Performed semi-automatic 4 foot pedals.
- Air bead breaker with double effect pneumatic cylinder.
- Powerful motor.
- Manual swing arm.
- Tire air inflator.
- Jaw with jet-blaster for wide range of wheels.
- Plastic jaw cover to protect from the wheel damage.
- Simple and easy operate method.
- Tilting post by pedal controlled.
- Pneumatic left helper arm.



Specification

- Model HT-220
- Bead-Breaker Force 3,200kg
- Max.Turntable Torque 1,200Nm
- Max. Wheel Width 330mm (13")
- Operating Pressure 10 bar (140psi)
- Motor Power 0.75kw
- Power Supply 1ph/3ph 110/220V 50/60Hz
- Weight 273 kg

Dimension



Copyright© HESHBON Co.,Ltd. ALL RIGHTS RESERVED.