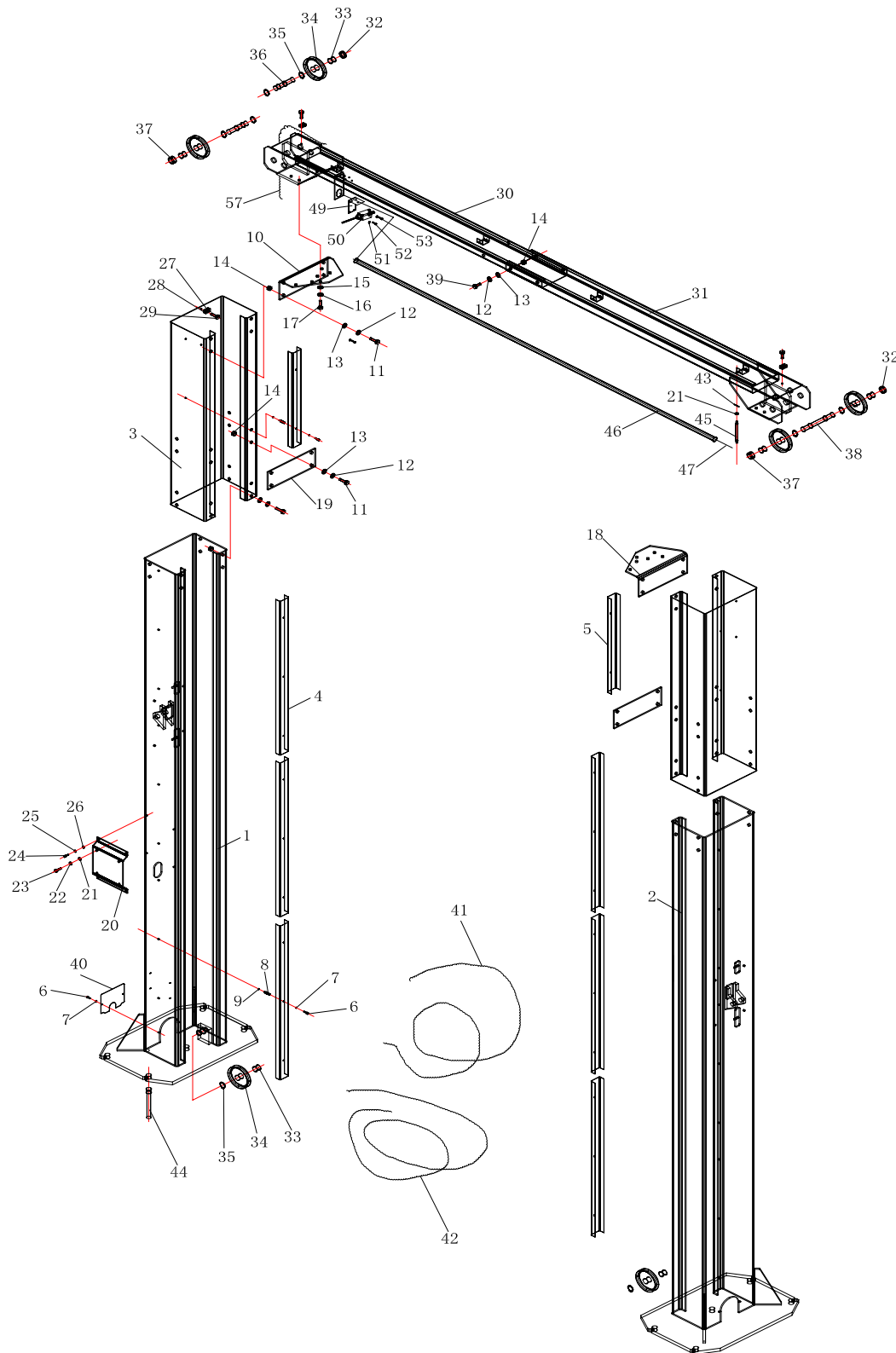
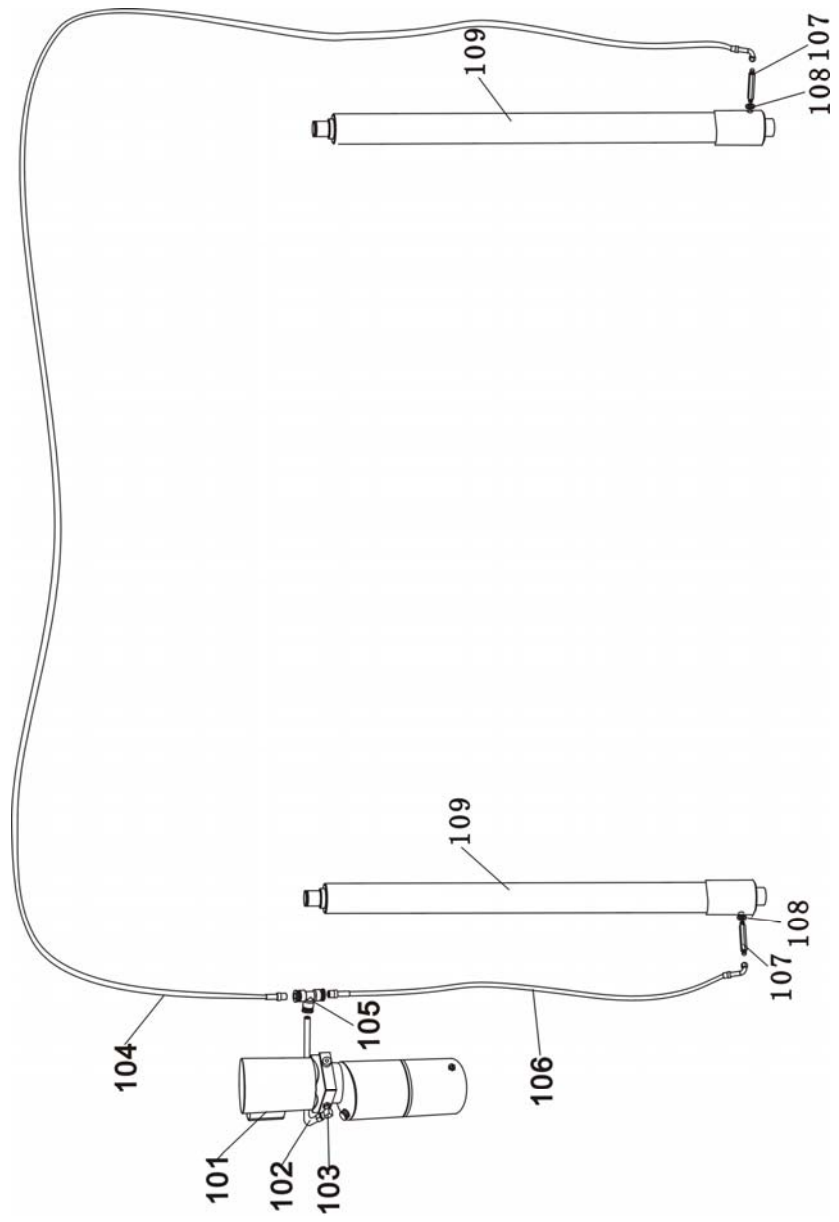


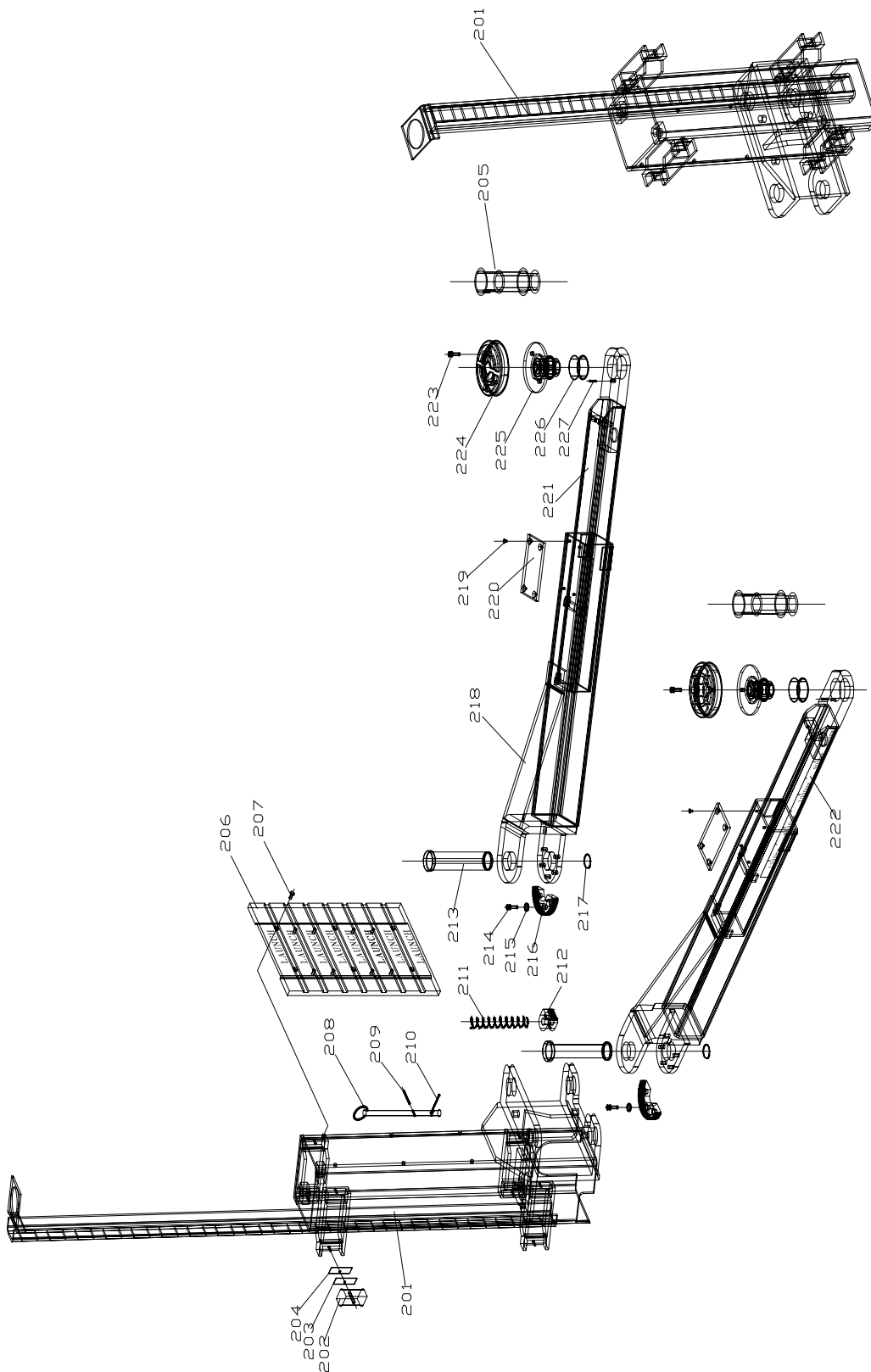
ECLC245 Parts List

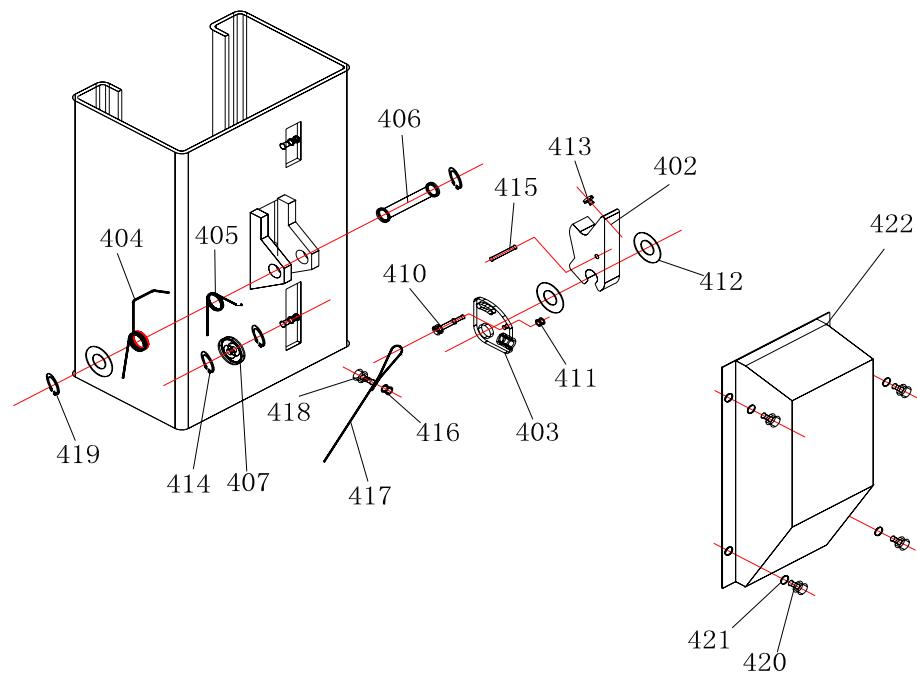
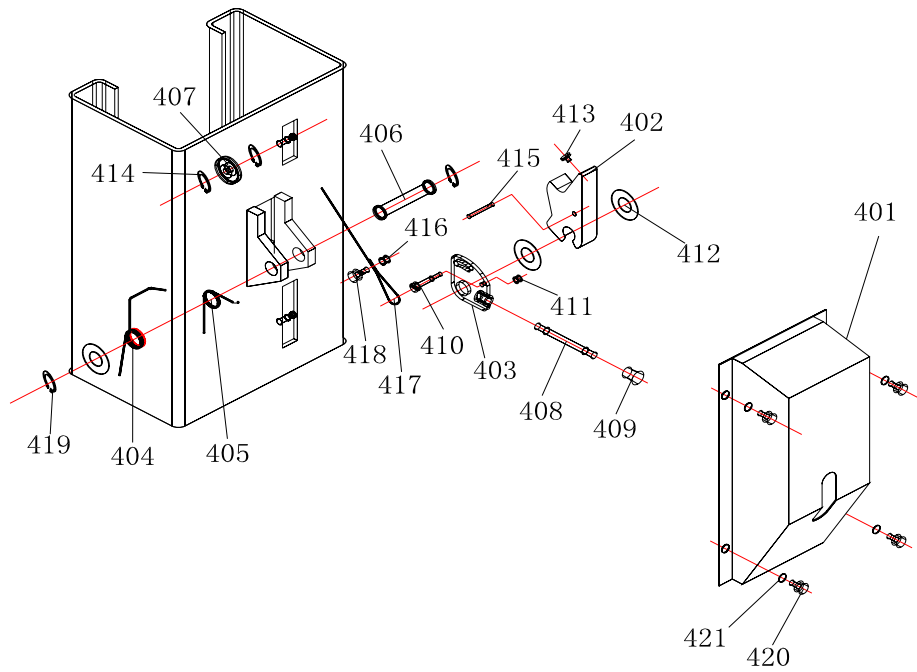
This list is only used as information for the maintenance and repair. Our company will not be liable for other uses. In case of damages to the components, purchase can be made from

the LAUNCH and its distributors base on the corresponding parts code No in the list.









No.	Code	Name
1	201020657	TLTU10AT powerside column
2	201020676	TLTU10AT offside column
3	201011151	Extension column
4	201011195	Protective cover inside the column
5	201011152	Protective cover inside the extension column
6	103010432	Screw M5×12
7	103040132	Flat washer 5
8	103200937	Screw
9	103040133	Flat washer 6
10	201011179	Connecting bracket I
11	103020104	Bolt M12×35
12	103040178	Spring washer 12
13	103040110	Flat washer 12
14	103030129	Nut M12
15	103040123	Flat washer 10
16	103040122	Spring washer 10
17	103020120	Bolt M10×20
18	201011180	Connecting bracket II
19	X201011154	Reinforced bracket
20	201020508	Fixing plate of power unit
21	103040134	Flat washer 8
22	103040141	Spring washer 8
23	103020100	Bolt M8X25
24	103020122	Screw M6X16
25	103040140	Spring washer 6
26	103040133	Flat washer 6
27	103201076	Fixing block for cable I
28	103201077	Fixing block for cable II
29	103020099	Bolt M6X20
30	201020530	Inner top beam
31	201020531	Outer top beam
32	103200969	Bushing I
33	103200699	Bushing 2520
34	104090045	Pulley
35	103050035	Returning ring 25
36	103200966	Asymmetric axle
37	103200968	Bushing II
38	103200967	Symmetric axle

39	103020126	Bolt M12X25
40	103201070	Bottom cover for column
41	101020186	Steel cable
42	103260127	Asymmetric steel cable
43	103060342	Pin 3X26
44	103020117	Anchor bolt M18×160
45	201011172	Support pin for long bar
46	104130196	Protective tube (\varnothing 20)
47	201011170	Long bar
49	201011186	Bracket
50	102100075	Limit switch
51	103040164	Flat washer 4
52	103010426	Screw M4×12
53	103010429	Screw M4×25
101		Power unit
102	104120083	Oil hose
103		Turn around fitting
104	104120070	Oil hose L=9640
105	103100172	T fitting
106	104120069	Oil hose L=9830
107	103100168	Long fitting
108	103040157	Seal gasket 14
109	201020649	Hydraulic cylinder
201	201020677	Carriage
202	104990103	Sliding block
203	201010987	Adjustment washer for sliding block I
204	201010988	Adjustment washer for sliding block II
205	103200970	Extension
206	104130191	Door rubber pad
207	103010452	Screw M8×16
208	103200979	Top rod assembly
209	103060346	Pin 5X40
210	103060342	Pin 3X26
211	103110063	Spring
212	201011216	Gear block
213	201010982	Pin axle
214	103010354	Screw M8×25
215	103040141	Washer 8
216	201011217	Semi-gear
217	103050030	Returning ring 40
218	201020497	Swing arm
219	103010414	Screw M5×8

LOGICAR

220	104130186	Rubber pad on arm
221	107021367	Scale on arm II
222	107021368	Scale on arm I
223	103020093	Screw M8×16
224	104130189	Rubber pad
225	103200978	Double screw lifting pad
226	103201067	Screw
227	103060347	Pin 6X20
401	103201457	Cover for safety mechanism
402	103201452	Safety block
403	201020584	Changing plate
404	103201450	Spring I
405	103201451	Spring II
406	103201455	Pin of safety block
407	104090060	Small pulley
408	103201454	Handle of safety release
409	103260115	Handle ball BM10X40 (black)
410	103201453	Screw of safety plate
411	103030014	Nut M6
412	201011156	Adjustment washer I
413	104130210	Rubber pad
414	103050021	Returning ring 9
415	103060333	Pin 6X40
416	103201456	Moving clamber
417	101060019	∅ 1.4 steel cable
418	201011319	Screw of moving clamber
419	103050025	Returning ring 20
420	103010393	Screw M8X12
421	103040134	Washer 8
422	103201458	Cover of safety mechanism on offside column