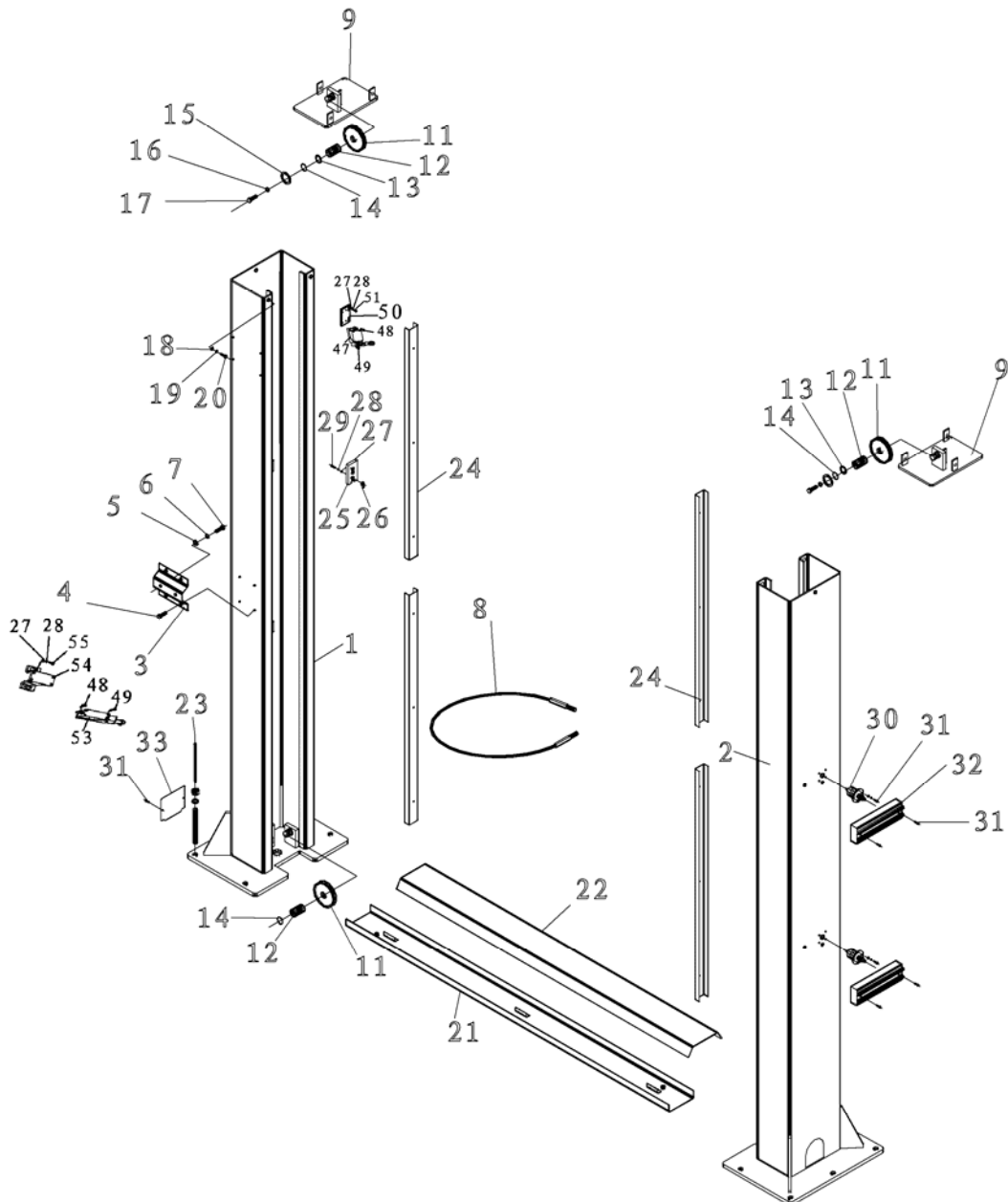


Parts List

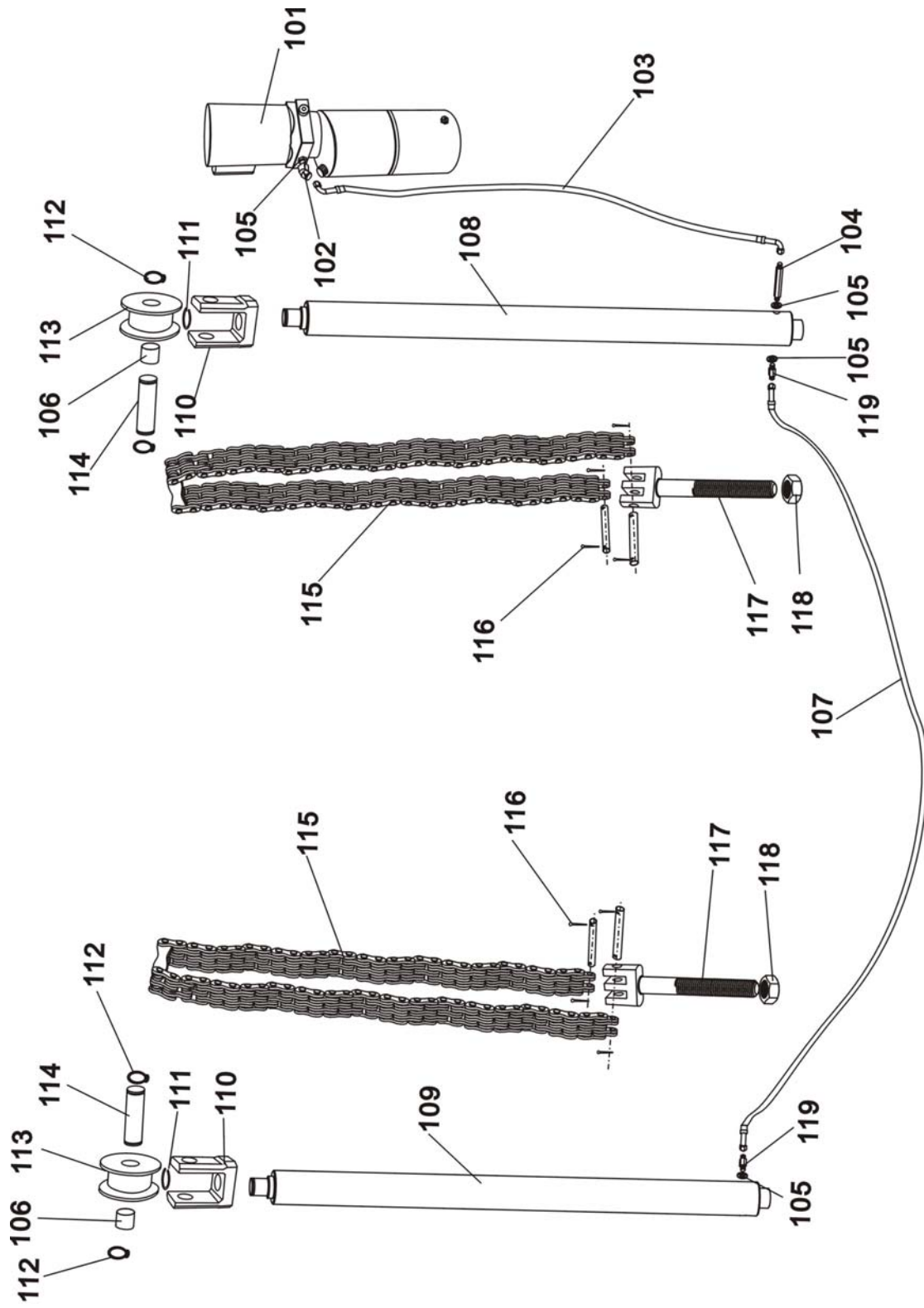
This list is only used as the information for the maintenance and repair. Our company will not be liable for other uses. In

case of damages to the components, purchase can be made from the LAUNCH and its sales agents based on the corresponding material code No in the list.

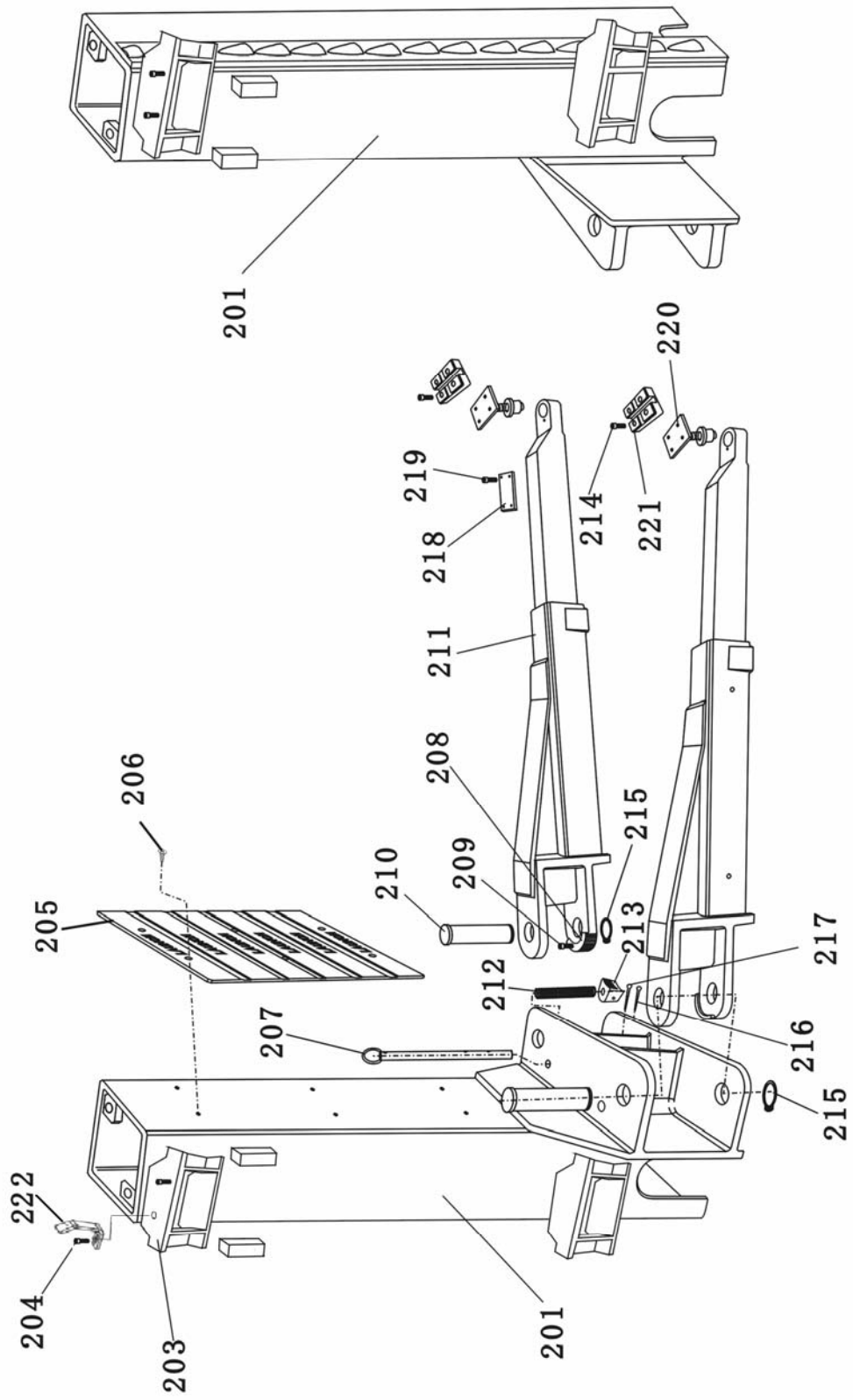
Applicable to TLT235SBA/TLT240SBA;



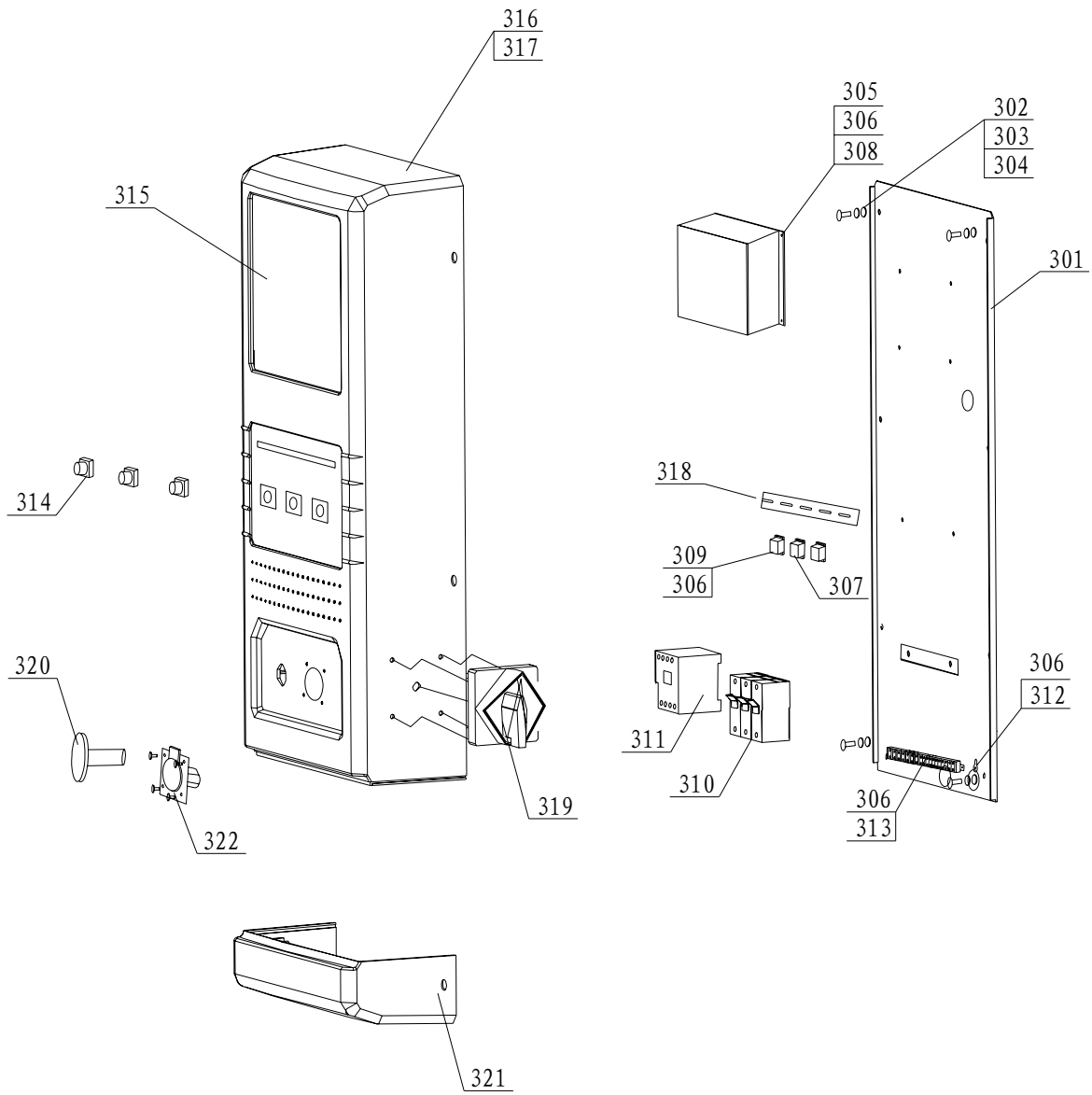
Applicable to TLT235SBA/TLT240SBA(E)/ TLT240SBA:



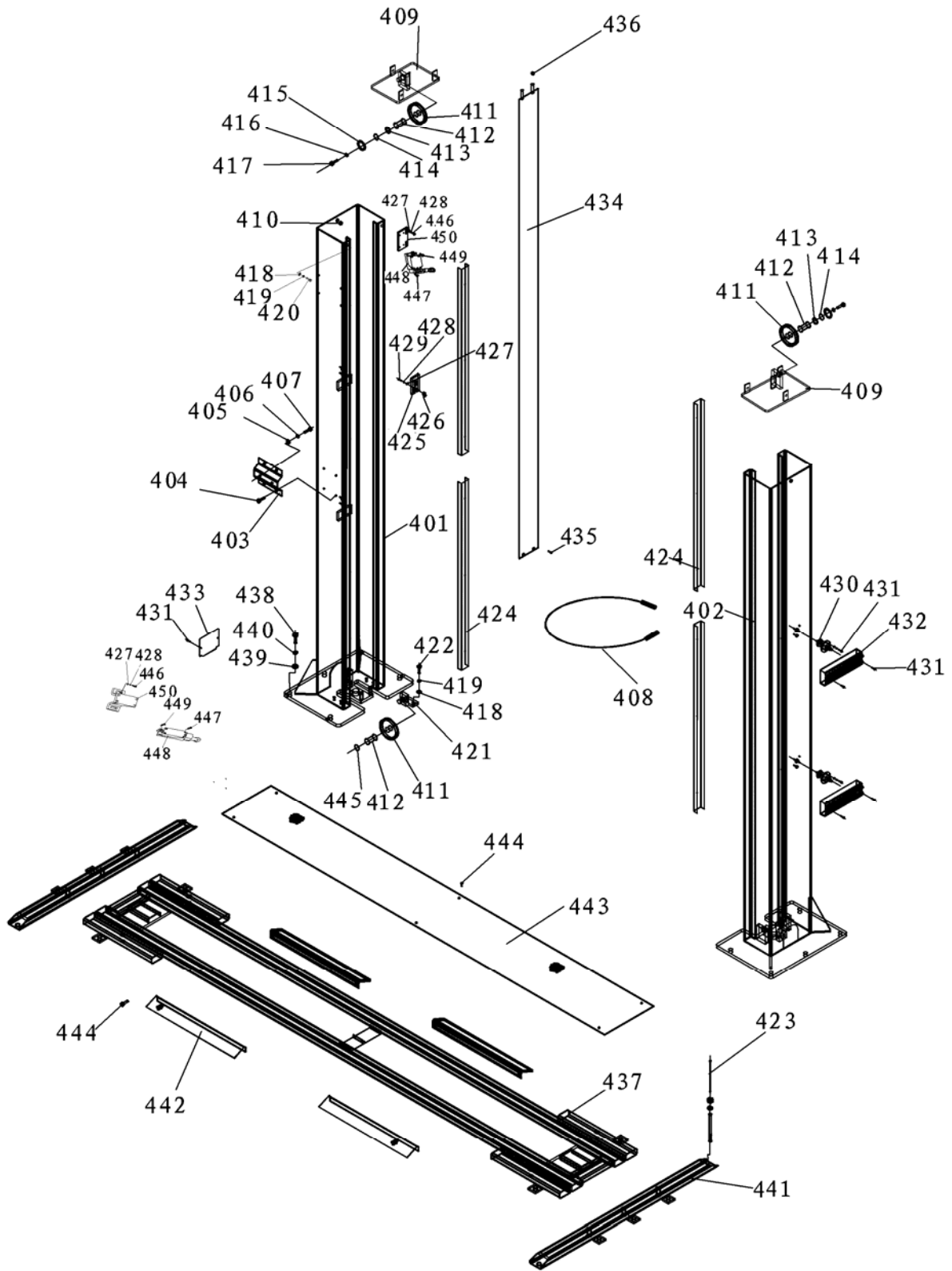
Applicable to TLT235SBA/ TLT240SBA/ TLT240SCA/TLT235SCA(U)



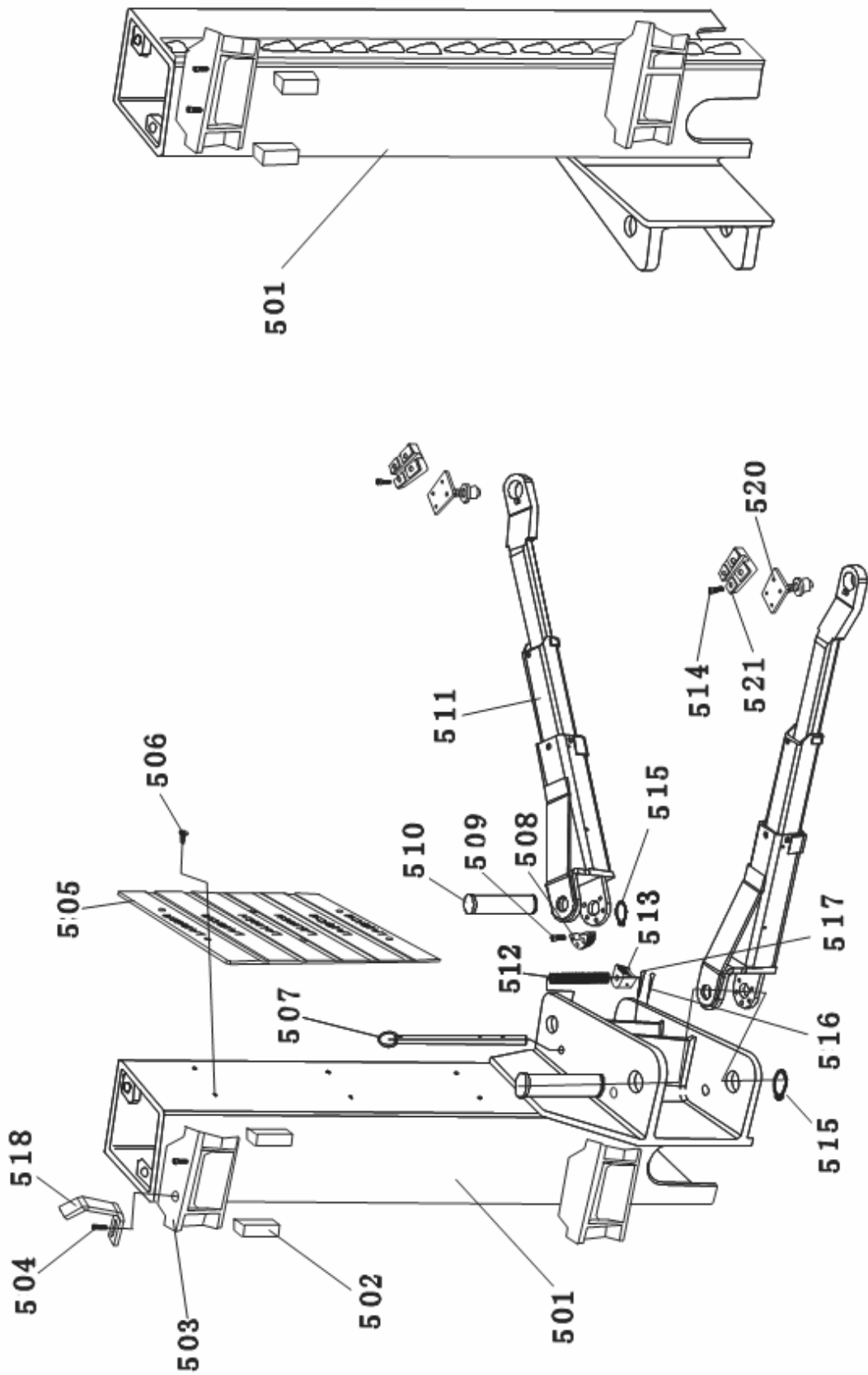
Applicable to TLT235SBA/TLT235SBA(E)/TLT240SBA/ TLT240SCA/TLT235SCA(U)



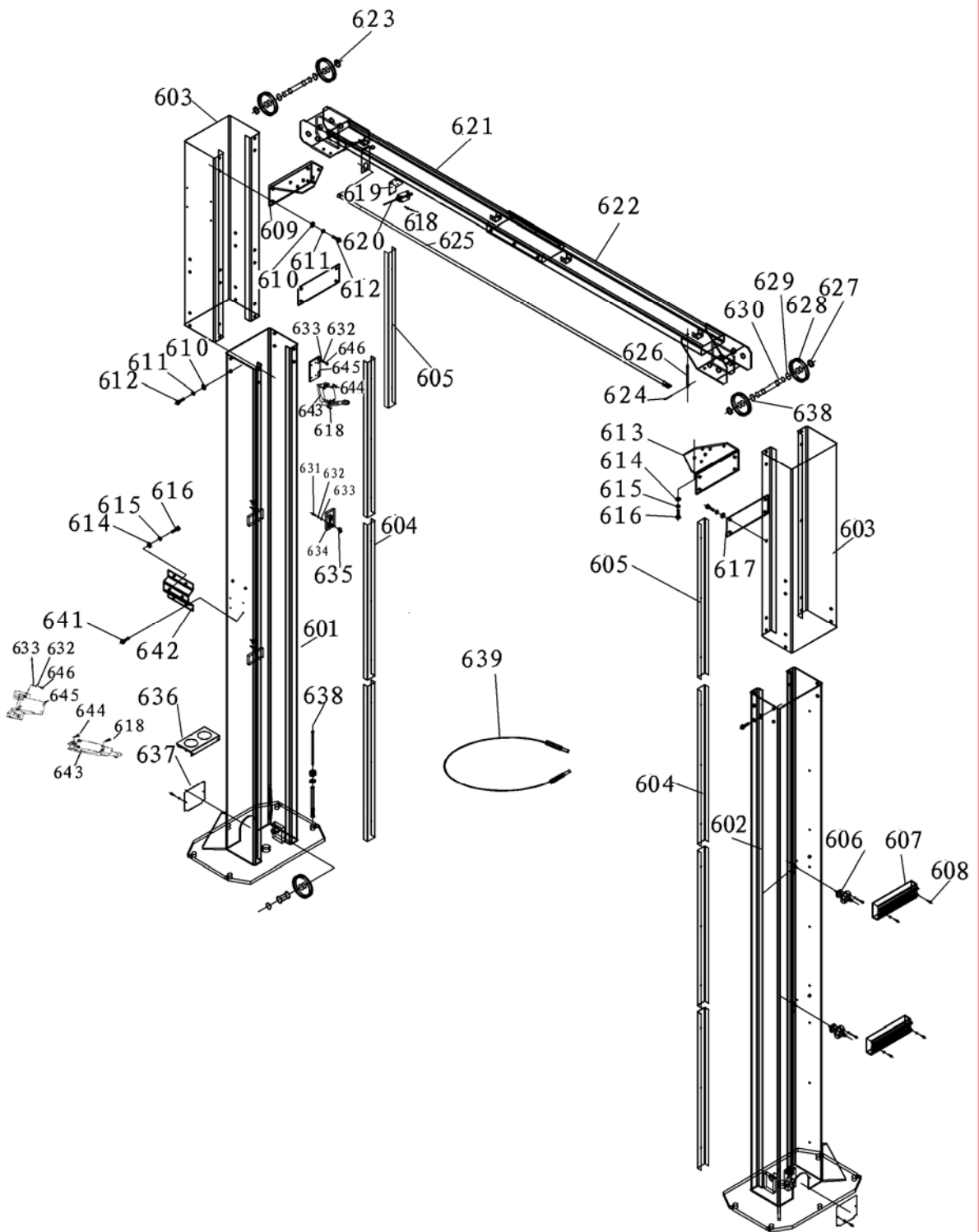
Applicable to TLT235SBA(E)



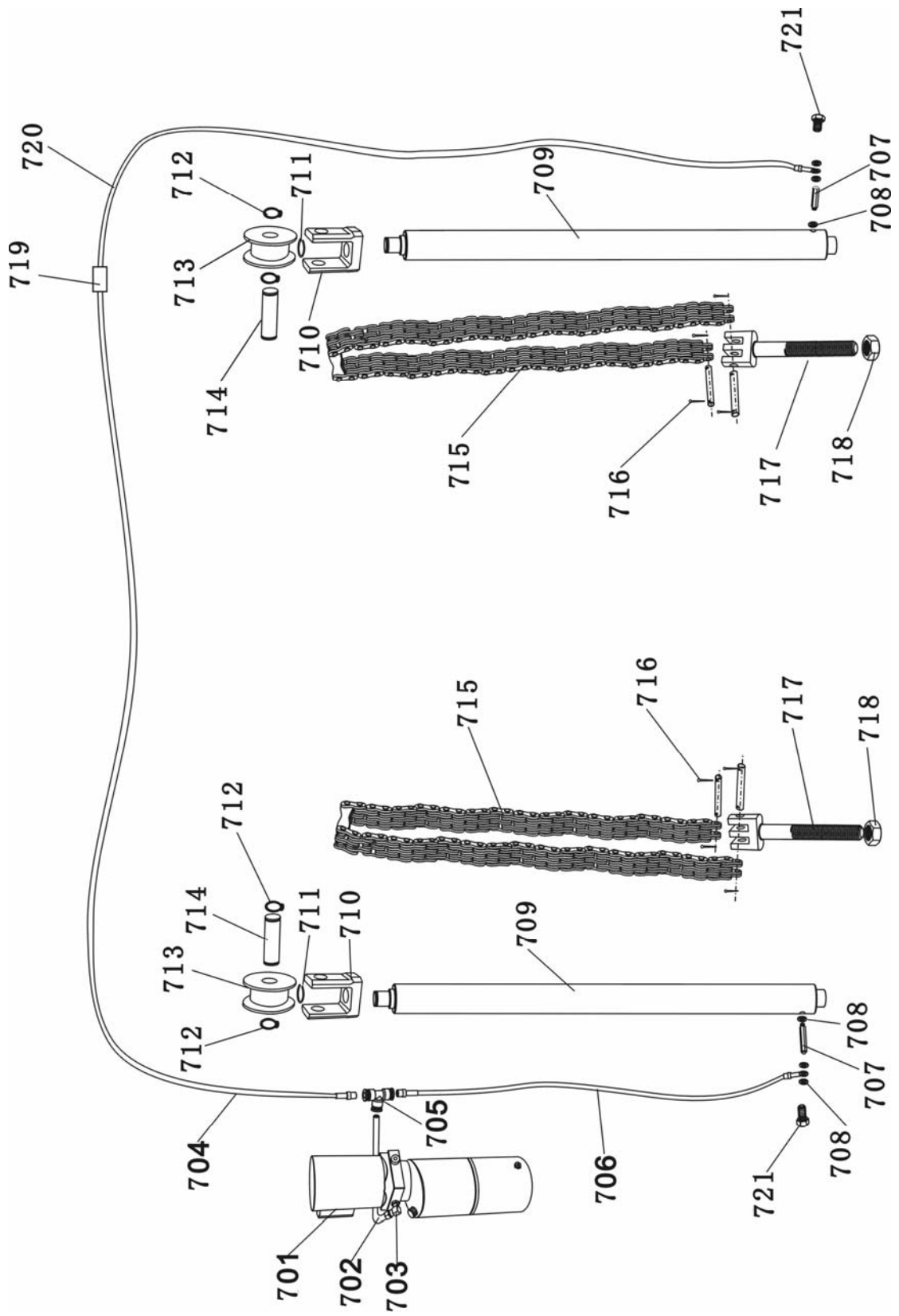
Applicable to TLT235SBA(E)



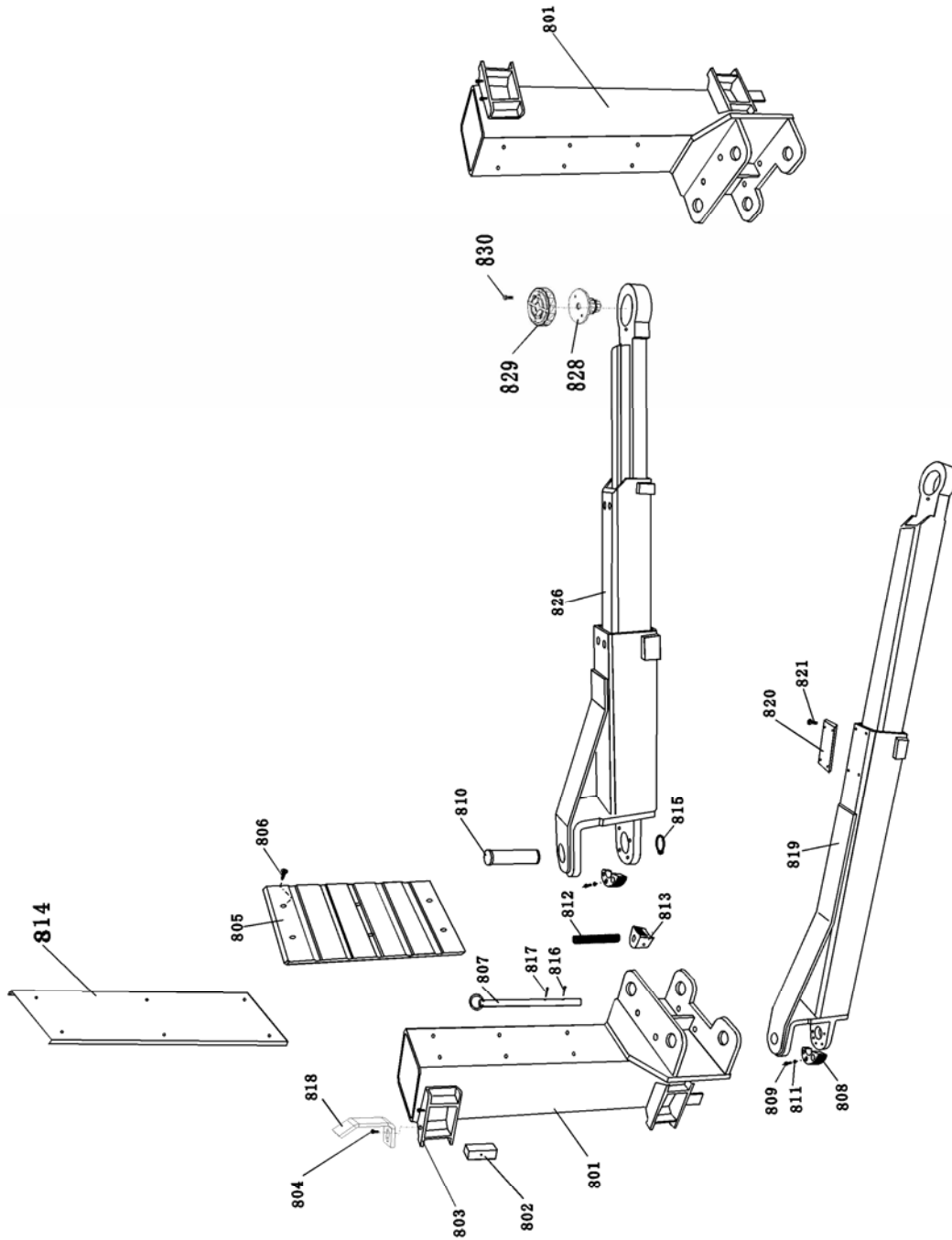
Applicable to TLT240SCA



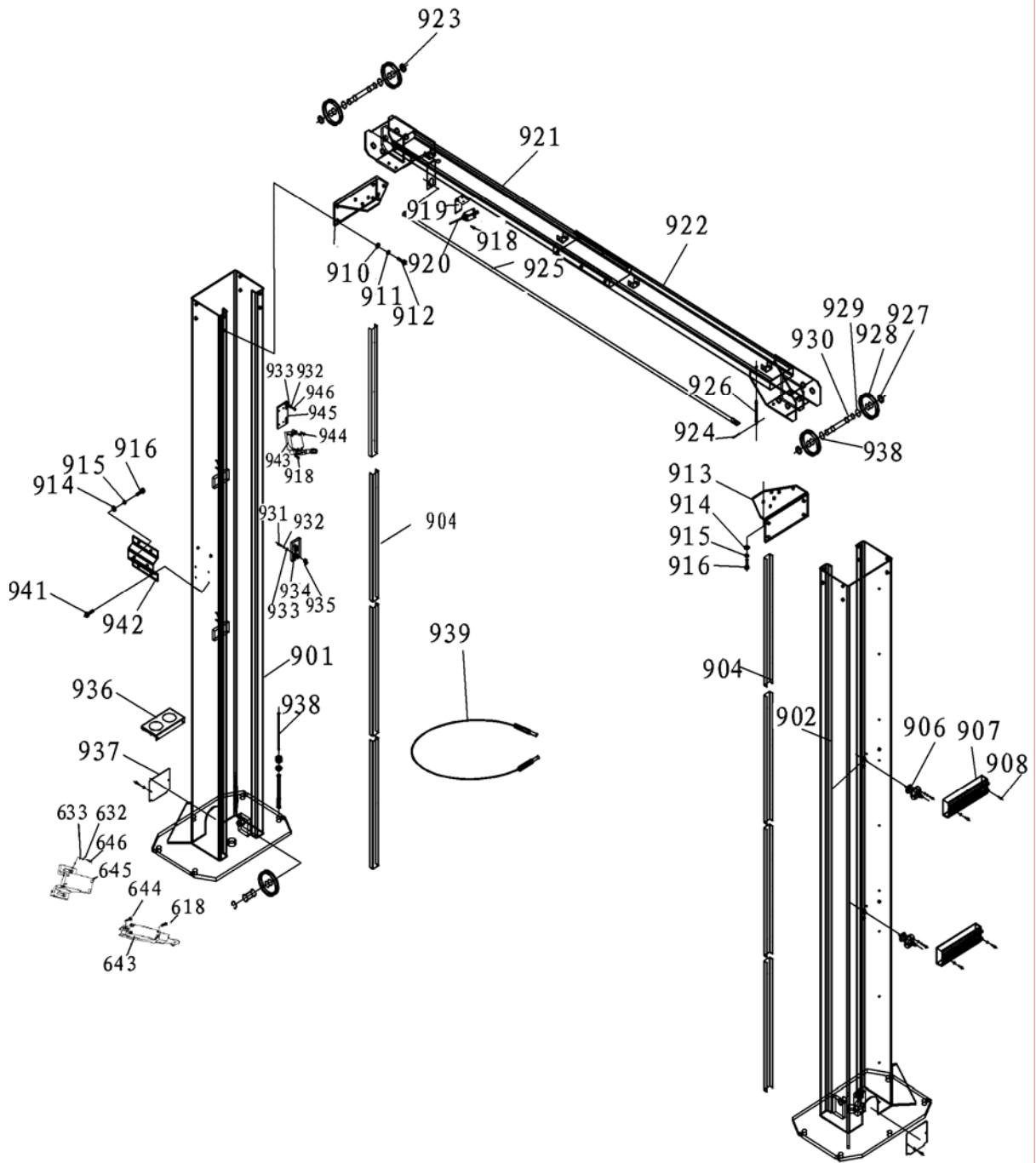
Applicable to TLT240SCA/TLT235SCA(U)



Applicable to TLT235SBA/ TLT240SBA/ TLT240SCA/TLT235SCA(U)



Applicable to TLT235SCA(U)



No.	Code	Name
1	201024756	TLT235SBA power side column
	201024757	TLT240SBA power side column
2	201024755	TLT235SBA offside column
	201024758	TLT240SBA offside column
3	103202906	Installation plate of power unit
4	103020190	Screw M6×10
5	103040123	Flat washer 10
6	103040122	Spring washer10
7	103020038	Bolt M10×25
8	103260337	Steel cable
9	201020381	Top cover assembly
11	103203017	Pulley
12	103200699	Bushing 2520
13	103040176	Washer
14	103050031	Returning ring 25
15	103050037	Returning ring
16	103040177	Spring washer8
17	103020116	Bolt M8×16
18	103040110	Flat washer12
19	103040044	Spring washer12
20	103020104	Bolt M12×35
21	103202821	Floor plate
22	103202819	Floor plate cover
23	103020123	Anchor Bolt M18×160
24	103202860	Protective cover inside the column
25	103200942	Safety block
26	103202520	Supporting block
27	103040133	Flat washer6
28	103040027	Spring washer6
29	103020099	Screw M6×20
30	103200960	Electromagnet
31	103010432	Screw M5X12
32	104120078	Electromagnet cover
33	201011236	Bottom cover of column
48	103010426	Screw M4×12
49	103010429	Screw M4×25
53	102100197	Roller type limit switch(turn 180)
54	103202981	Limit bottom plate
55	103020156	Bolt M6*12
101		Power unit
102	103100170	Fitting M14×1.5 (for domestic pump)

	103100171	Fitting G1/4" (for imported pump)
103	104120066	Oil hose
104	103202197	Long fitting
105	103040157	Seal gasket 14
106	103260098	Bush 3052
107	104120079	Oil hose
108	103260123	Main cylinder
109	103260129	Sub cylinder
110	103220054	Sheave seat
111	104060016	Returning ring 32
112	103050014	Returning ring 30
113	103201950	Sheave
114	103200973	Sheave axle
115	103200939	Steel chain
116	X103060340	Pin 2×26
117	103200938	Chain threaded end
118	103030131	Nut M16
119	103100170	Fitting
201	201021324	TLT235SBA/TLT240SBACarriage
	201021793	TLT235SCA(U) Carriage
	201021323	TLT235SCACarriage
202	104990132	Sliding block
203	103202766	TLT235SBA/TLT240SBA/TLT235SCATop board
	103202765	TLT235SCA(U)
204	103010473	Screw M10×30
205	104130191	Door rubber pad
206	103010452	Screw M8×16
207	103202184	Top rod assembly
208	103202032	Semi-gear
209	103010443	Screw M10×25
210	201010982	Pin axle
211	201020501	Swing arm
212	103201914	Spring
213	103201744	Gear block
214	103020093	Screw M8×16
215	103050030	Returning ring 40
216	103060355	Pin 3.2X30
217	103060376	Pin 5X32
218	104130186	Rubber pad on swing arm
219	103010414	Screw M5X8
220	103202130	Lifting pad assembly
221	104130189	Rubber pad

222	201014617	The limiting plate
301	103200932	Base plate of control box
302	103010432	Screw M5×12
303	103040166	Spring washer5
304	103040132	Flat washer5
305	102100198	Transformer
306	103010423	Screw M4×6
307	102110051	Electromagnetic Relay DC24V
308	103040048	Spring washer4
309	102110067	Time Relay DC24V
310	102150053	Fuse RT18-32/3P(10 A core) (380V three-phase control box)
	102150054	Fuse RT18-32/3P(20A core) (220V three-phase control box)
	102150055	Fuse RT18-32/2P(32A core) (220V single-phase control box)
311	102110059	Contact S-P11,AC,24V
312	102990067	Ground plate \varnothing 5
313	102160390	Terminal
314	102100199	Button (black, one contact closed, one contact open)
	102100200	Button (black, two contacts closed, two contacts open)
	102100201	Button (yellow, one contact closed, one contact open)
315	104090050	Display board
316	104091176	Case of control box
317	103010412	Bolt M4×6
318	103200802	Sliding guide
319	102100087	Power switch
320	102140018	Buzzer
321	104091175	Bottom case of control box
322	102160392	Water proof socket
401	201024781	TLT235SBA (E) power side column
402	201024762	TLT235SBA (E) off side column
403	103202906	Installation plate of power unit
404	103020190	Screw M6×12
405	103040123	Flat washer 10
406	103040122	Spring washer10
407	103020120	Bolt M10×20
408	103260339	Steel cable
409	201024766	TLT235SBA(E)Top cover
411	103203017	Pulley
412	103200699	Bush 2520

413	103040176	Washer
414	103050031	Steel cable returning ring 25
415	103050037	Returning ring
416	103040141	Spring washer8
417	103020116	Bolt M8×16
418	103040110	Flat washer12
419	103040044	Spring washer12
420	103020104	Bolt M12×35
421	103202862	Pulley seat
	103202863	Pulley seat II
422	103010607	Zinc Screw M12×30
423	103020123	Anchor Bolt M18×160
424	103202860	Protective cover inside the column
425	103200942	Safety block
426	201011198	Supporting block
427	103040133	Flat washer6
428	103040027	Spring washer6
429	103020099	Screw M6×20
430	103200960	Electromagnet
431	103010432	Screw M5X12
432	104120078	Electromagnet cover
433	201011236	Bottom cover of column
434	201021451	Protective cover
435	103010608	Screw M6×10
436	103030127	Nut M8
437	201021455	Base seat bracket
438	103020187	Bolt M18×50
439	103040169	Flat washer18
440	103040142	Spring washer18
441	201021459	Bracket
	201021460	Bracket II
442	201013136	Ramp
443	X201013127	Cover plate
444	103010539	Screw M8×12
445	103050035	Returning ring 25
446	103020156	Bolt M6×12
447	103010429	Screw M4×25
448	102100197	Roller type limit switch(turn 180)
449	103010426	Screw M4×12
450	103202981	Limit bottom plate
501	201021454	TLT235SBA(E) carriage

502	104990132	Sliding block
503	103202766	Top board
504	103010473	Screw M10×30
505	104130191	Door rubber pad
506	103010539	Screw M8×12
507	103202184	Top rod assembly
508	103202032	Semi-gear
509	103011102	Screw M10×25 12.9 class
510	103202280	Pin axle
511	201021738	Swing arm
512	103201914	Spring
513	103201744	Gear block
514	103010260	Screw M8×20
515	103050030	Returning ring 40
516	103060355	Pin 3.2×30
517	103060376	Pin 5×32
518	201014617	Actuator plate
520	103202130	Lifting pad assembly
521	104130189	Rubber pad
601	201025027	TLT240SCA(U)power side column
	201020620	TLT240SCA power side column
602	201021792	TLT240SCA(U) offside column
	201020618	TLT240SCA offside column
603	201020928	Extension column
604	103202860	Inner cover of power side column
605	103202859	Cover of extension column
606	103200960	Electromagnet
607	104120078	Electromagnet cover
608	103010498	Screw M5×8
609	103202811	Connecting bracket I
610	103040110	Flat washer12
611	103040044	Spring washer12
612	103020104	Bolt M12×35
613	103202812	Connecting bracket II
614	103040123	Flat washer10
615	103040122	Spring washer10
616	103020120	Bolt M10×20
617	201011176	Reinforced plate
618	103010429	Screw M4×25
619	103201545	Bracket
620	105990008	Limit switch

621	103202816	Inner top beam
622	103202818	Outer top beam
623	201011258	Bushing I
624	103060342	Pin 3x26
625	201011170	Long bar
626	201011172	Supporting pin of long bar
627	201012602	Bushing II
628	104090045	Pulley
629	103050035	Returning ring 25
630	103200967	Symmetric axle
	103200966	Asymmetric axle
631	103020099	Bolt M6×20
632	103040027	Spring washer6
633	103040133	Flat washer6
634	103200942	Safety plate
635	103202520	Supporting block
636	103201073	Bracket for extension sleeve
637	103201070	Bottom cover of column
638	103010582	Anchor bolt M18×160
	103020123	Anchor bolt M18×160
639	103260257	Steel cable
641	103020090	Screw M6×10
642	103202906	Fixing plate of power unit
643	102100197	Roller type limit switch(turn 180)
644	103010426	Screw M4×12
645	103202981	Limit bottom plate
646	103020156	Bolt M6×12
701		Power unit
702	104120136	Oil hose L=880
703	103100170	Fitting M14×1.5 (for domestic power unit)
	103100171	Fitting G1/4" (for imported power unit)
704	104120096	Oil hose L=5370
705	103100172	T fitting
706	104120116	Oil hose L=930
707	103202198	Long fitting
708	103040157	Seal gasket 14
709	103260129	Sub cylinder
710	103220054	Sheave seat
711	104060016	Returning ring 32
712	103050014	Returning ring 30
713	X201021275	Sheave assembly

714	103200973	Sheave axle
715	103200939	Steel chain
716	X103060340	Pin 2×26
717	103200938	Chain threaded end
718	103030131	Nut M16
719	103100198	Fitting
720	104120095	Oil hose of sub-cylinder
721	103020166	Connecting Bolt
801	201021324	TLT235SBA/TLT240SBACarriage
	201021793	TLT235SCA(U) Carriage
	201021323	TLT235SCACarriage
802	104990132	Sliding block
803	103202766	Top plate
804	103010473	Screw M10×30
805	104130191	Door rubber pad
806	103010539	Screw M8×12
807	103202184	Top rod assembly
808	103202032	Semi-gear
809	103011102	Screw M10×25
810	103202280	Pin axle
811	103040122	Spring washer 10
812	103201914	Spring
813	103201744	Gear block
814	201010986	Protective plate
815	103050030	Returning ring 40
816	103060355	Pin 3.2×30
817	103060376	Pin 5×32
818	201014617	Actuator plate
819	103202278	Swing arm
820	104130186	Rubber pad on arm
821	103010608	Screw M6×10
825	201020732	Long guardrail
826	201020680	Three-section arm
828	103201444	Round lifting pad assembly
829	104130189	Round rubber pad
830	103010260	Screw M8×20
901	201025027	TLT235SCA(U) power side column
902	201021792	TLT235SCA(U) offside column
904	103202891	Protective cover inside the column
906	103200960	Electromagnet

907	104120078	Electromagnet cover
908	103010498	Screw M5×8
909	103202811	Connecting bracket I
910	103040110	Flat washer12
911	103040044	Spring washer12
912	103020104	Bolt M12×35
913	103202812	Connecting bracket II
914	103040123	Flat washer10
915	103040122	Spring washer10
916	103020120	Bolt M10×20
918	103010429	Screw M4×25
919	103201545	Bracket
920	105990008	Limit switch
921	103202817	Inner top beam
922	103202818	Outer top beam
923	201011258	Bush I
924	103060342	Pin 3×26
925	201011170	Long bar
926	201011172	Supporting pin of long bar
927	201012602	Bush II
928	104090045	Pulley
929	103050035	Returning ring 25
930	103200967	Symmetric axle
	103200966	Asymmetric axle
931	103020099	Bolt M6×20
932	103040027	Spring washer6
933	103040133	Flat washer6
934	103200942	Safety plate
935	103202520	Supporting block
936	103201073	Bracket for extension sleeve
937	103201070	Bottom cover of column
938	103010582	Anchor bolt M18×160
	103020123	Anchor bolt M18×160
939	103260257	Steel cable
941	103020090	Screw M6×10
942	103202810	Fixing plate of power unit
943	102100185	Roller type limit switch
944	103010426	Screw M4×12
945	201014616	Limit bottom plate
946	103020156	Bolt M6×12